

V5011P TWO-WAY THREADED GLOBE VALVE

SPECIFICATION DATA



Features

- Bronze body with BSPT-threaded end connections.
- Low seat leakage rate (≤ 0.05 percent of K_{vs}).
- Spring-loaded, self-adjusting packing.
- Accurate positioning to ensure state of the art temperature control.
- Sizes rang from 1 in. to 2 in.
- Valve designs provide equal percentage flow characteristic for water and linear flow characteristic for steam.
- Stainless steel stem and metal-to metal seats.

Specifications

Action:	Stem down to close
Nominal pressure rating:	20 bar (300 psi) for water 12 bar (185 psi) for steam
Flow characteristic:	See Fig. 2
Water	Equal percentage (V5011P1XXX)
steam	Linear (V5011P2XXX)
Rangeability:	50:1
Leakage rate:	$\leq 0.05\%$ of K_{vs}
Stroke:	20 mm
Valve body:	
Pipe connections:	Internal BSPT-threaded
Material:	Bronze
Dimensions:	See Fig. 1
Trim:	
Seat:	Stainless steel, replaceable
Plug:	Brass on V5011P1XXX Stainless steel on V5011P2XXX
Stem:	Stainless steel
Packing:	Spring loaded carbon fiber reinforced PTFE V-rings
Medium temperature and pressure:	
Water	2 to 120 °C max. 20 bar 120 to 170 °C max. 12.8 bar
Steam	170 °C max. 6.9 bar

Application

Single seated control or shutoff valve for:

- hot water
- chilled water
- Domestic Hot Water
- saturated steam
- superheated steam

in Heating, Ventilating, Air Conditioning Systems
Open Circuits

To be operated by

- electric linear actuators as
ML 6420 / 25
ML 7420 / 25
M 6421
M 7421

Sizes and flow capacities

Order Number	Valve size	K _{vs}
V5011P1004 (water)	DN25	10
V5011P1012 (water)	DN32	16
V5011P1020 (water)	DN40	25
V5011P1038 (water)	DN50	40
V5011P2036 (steam)	DN25	10
V5011P2002 (steam)	DN32	16
V5011P2010 (steam)	DN40	25
V5011P2028 (steam)	DN50	40

Installation

Water should meet VDI2035 requirements.
Do not install valve with stem below the horizontal.
Fluid flow must correspond with the arrow direction on the valve body.
The installation of a strainer is strongly recommended.

Spare Parts

Repair packing kit
DN25...32: Order number 88609014-1
DN40...50: Order number 88609014-2

Close-off Pressure Ratings in kPa

Electric Actuators

Actuator		Valve size					
Type	Force	DN15	DN20	DN25	DN32	DN40	DN50
ML6420 / ML6425 ML7420 / ML7425	600N	1600	1600	1000	700	460	260

Dimensions

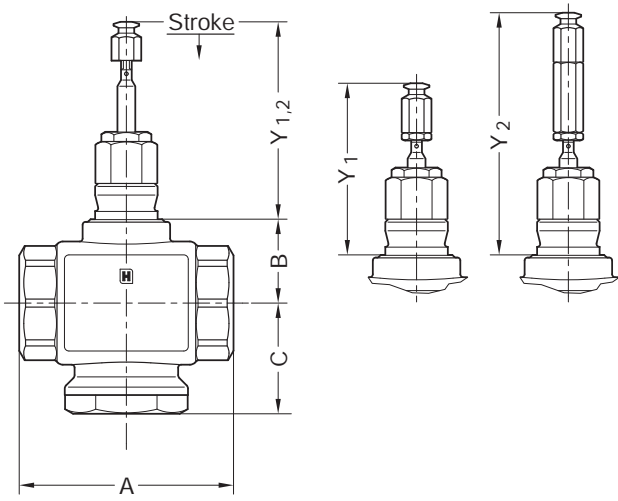


Fig. 1

Valve Size	A	B	Y ₁	Y ₂ *
			stem down	
DN25	103	40	89	133
DN32	106	40		
DN40	120	47		
DN50	134	47		

For Actuator dimensions please refer to:

- ML6420 / ML6425 EN0C-0623
- ML7420 / ML7425 EN0C-0624

Flow characteristic

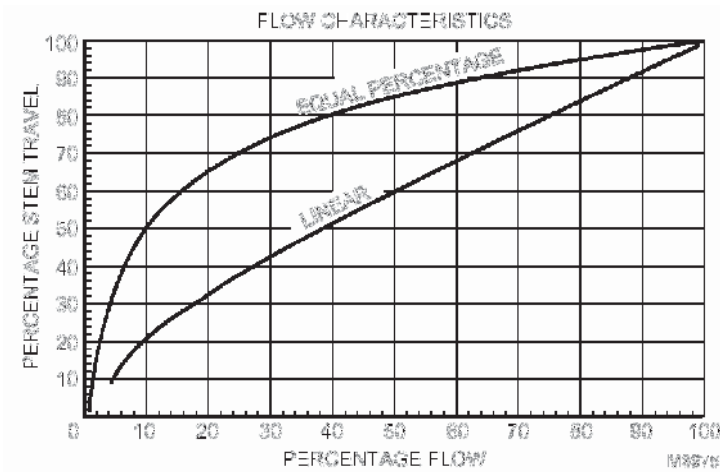


Fig. 2. Equal percentage and linear flow characteristics.